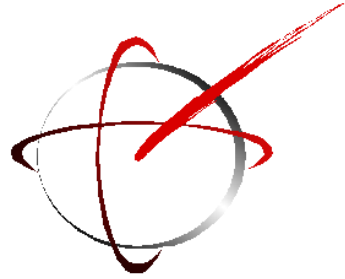




Willow Street Design

Automated Equipment for Dental Appliances

2023 Product Offering



Willow Street Design

Automated Equipment for Dental Appliances

First to apply semiconductor manufacturing technology to dental fabrication.

Our equipment provides:

- Smallest form-factor
- Highest reliability
- Fastest production
- Superior quality

Proven products with several generations of machines and millions of appliances.

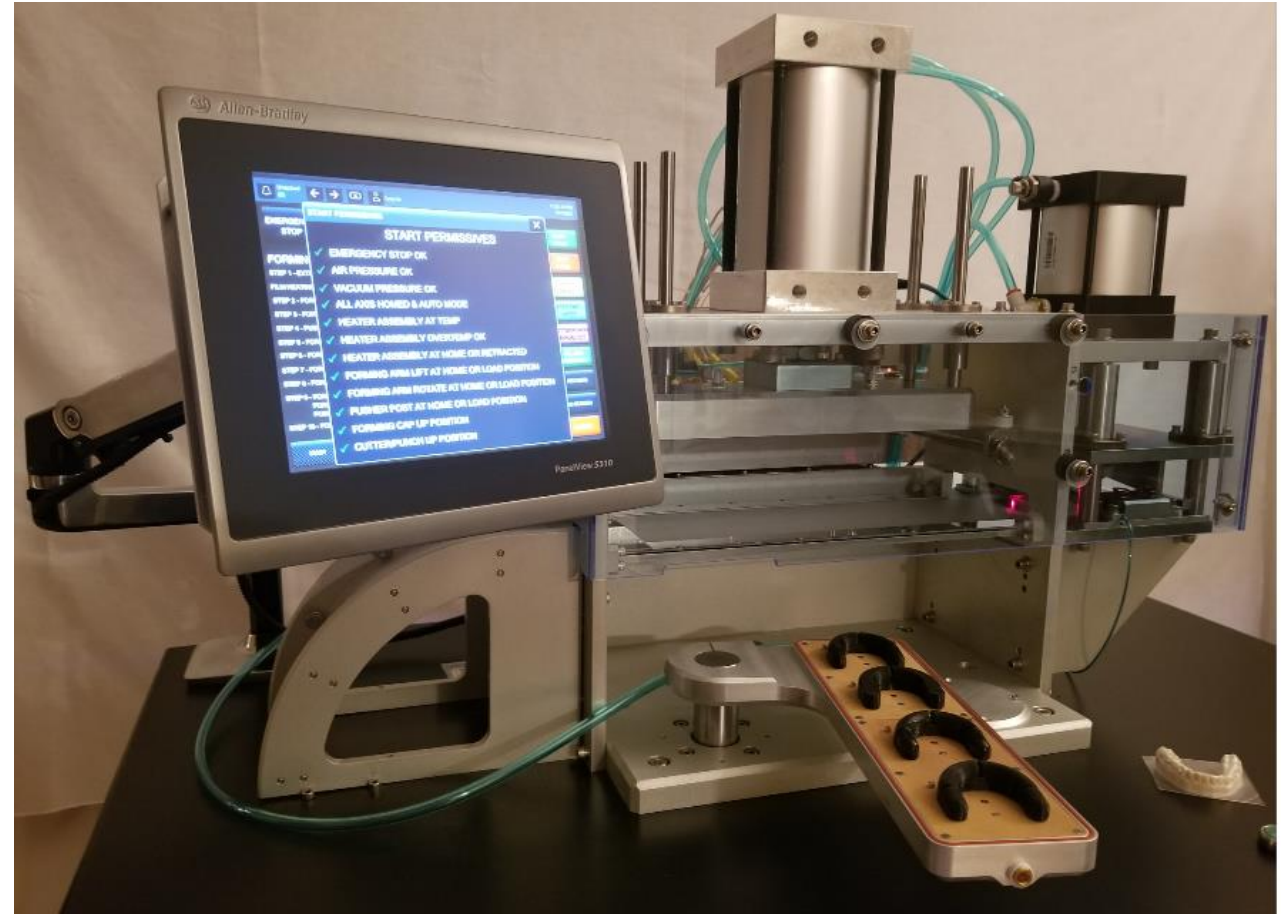
- 4th Generation Punch Geometry and Materials
- 5th Generation Thermoformer Technology
- 4th Generation Automated Cutter

Superior Equipment Makes Superior Parts



WSD-1000 Auto Thermoformer

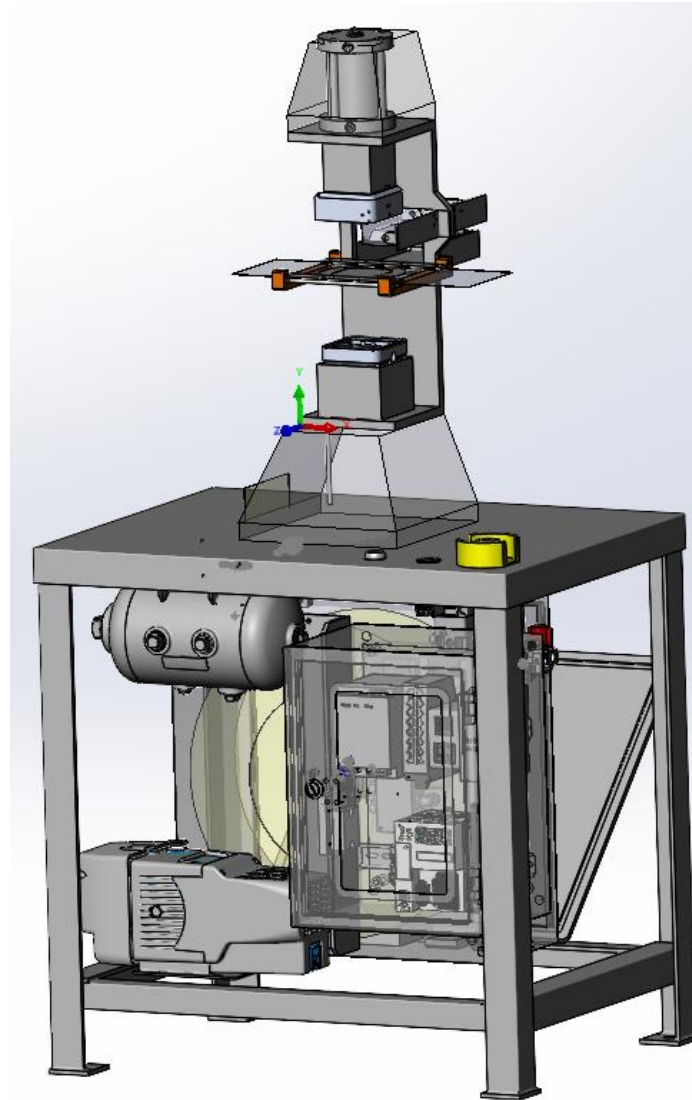
- **Automated: 200 parts/hr.**
- **Total cost recovery in 30 rolls!**
- **Manual or auto-loading**
- **Sealable roll housing**
- **Instrumented, remote access**
- **Integrated punch press**





WSD-2000 Single-Shot Thermoformer

- **Automated: 50 parts/hr.**
- **Total cost recovery in 12 rolls!**
- **Manual or auto-loading**
- **Sealable roll housing**
- **User Process Controls**
 - **Temperature**
 - **Pressure**
 - **Heat Time**
 - **Form Time**





WSD-3000 Auto Punch Press

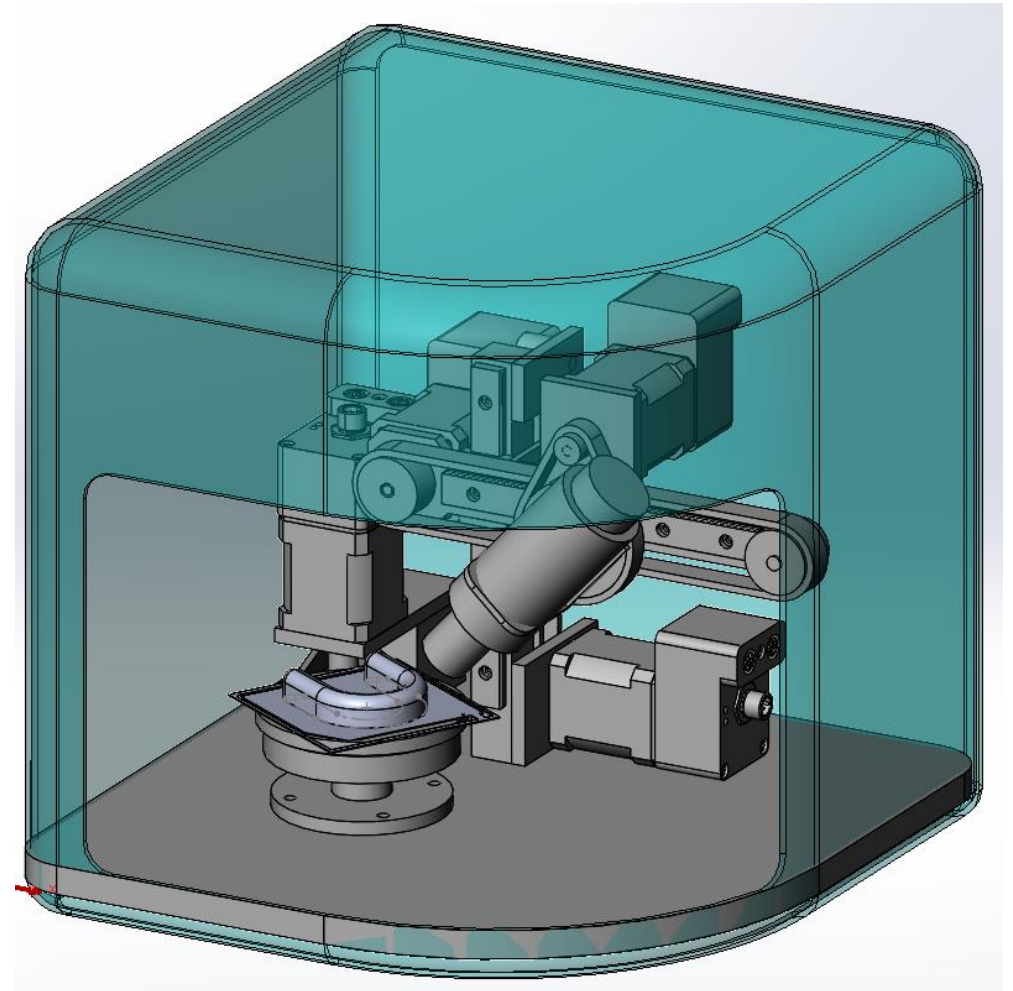
- **Punches rounds for BioStar: 400 rounds/hr.**
- **Lower cost to \$1.75 ea. instead of \$4.45**
- **Total cost recovery in 10 rolls!**
- **Proven design with over 3M punches**
- **Air-driven with manual/auto control**
- **Sealable roll housing**
- **Film drive auto-feed**
- **Chips waste film**





WSD-4000 Automated Cutter

- **Four-axis cutter, fastest rate available**
- **Automated: 120 parts/hr.**
- **4th generation, true benchtop (1 cu. ft.)**
- **Cutline generation by DreamAlign**
- **Best cut edge for comfort (not sharp)**
- **Manual, semi-auto or full-auto loading**





Performance Summary

Willow Street Design equipment is the best performing and most reliable in the industry, producing the highest-quality parts, and unmatched Return on Investment (ROI).

Thermoforming Method	Cases/Hr	Parts/Hr	Material Cost/Case	Material Cost/Part	Material Supply	ROI in Cases	ROI in Rolls
Biostar	1	20	\$89.00	\$4.45	Zendura Single		
WSD-3000 + Biostar	1	20	\$34.60	\$1.73	Roll Fed	577 cases	10 rolls
WSD-2000	2.5	50	\$21.20	\$1.06	Roll Fed	1106 cases	12 rolls
WSD-1000	10	200	\$21.20	\$1.06	Roll Fed	2775 cases	30 rolls

* This Return on Investment calculation is for material savings alone. Significant additional savings are produced by lower labor expenses, superior reliability, and higher-quality parts resulting in fewer scraps.



Price Sheet: LMT Lab Day Show Special

Show discount of 15% valid for the next 30 days (3Apr23).

WSD-1000 Auto Thermoformer	\$ 225,000
WSD-2000 Single-Shot Thermoformer	\$ 75,000
WSD-3000 Auto Punch Press	\$ 36,000
WSD-4000 Automated Cutter	\$ 33,000